



TECH*KISAN*
AUTOMATION

INTEGRATED BUILDING MANAGEMENT SYSTEMS



Tech*Kisan* Automation

The service you need!



SAFETY AND SECURITY

We provide safety and security through the IBMS to industries and buildings. We provide service for the -
Cctv surveillance System, Fire Alarm System, Access Control System, Public Addressing System, Perimeter Protection System, BMS Integration, etc..



CCTV SURVEILLANCE SYSTEM

**24/7 RELIABLE SURVEILLANCE FOR
SAFER WORKSPACES**

IP CAMERAS

Crystal clear images, and a host of advanced features

PROVIDERDS



IMPACT

by Honeywell

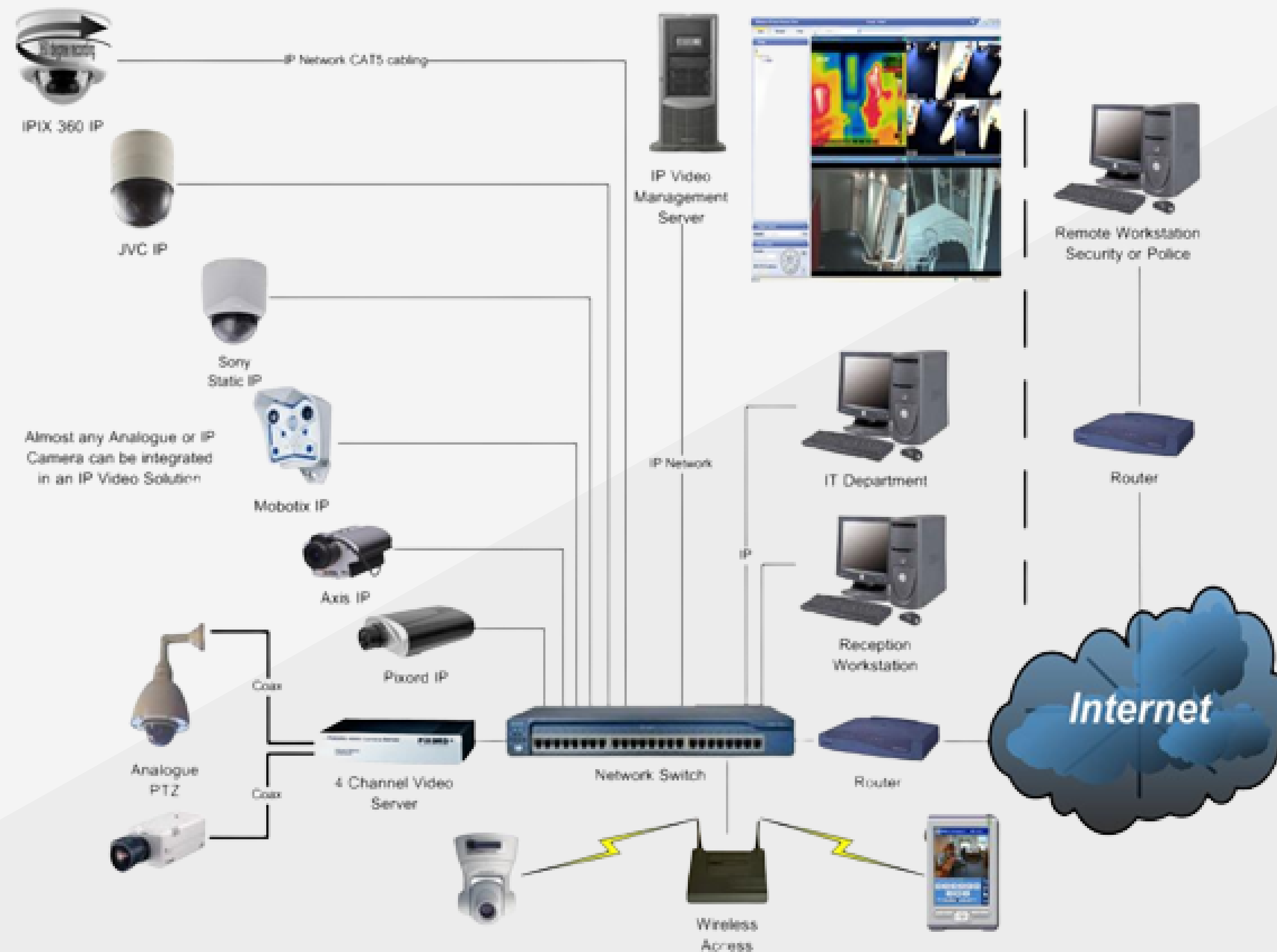


SECURITY SOLUTIONS

HIKVISION

10+

System Architecture



Impact IP Series Camera

Providing audio along with video streams, the IP CCTV cameras deliver a better video surveillance experience with high-resolution images and reduced storage requirements. It is the high-clarity images and clear video streams that greatly help in the effective analysis of the video feed in the occurrence of an intrusion.



PRODUCT OFFERINGS



Cutting-edge imaging technology for better perimeter security
When image clarity is essential for high risk sites, get an advantage over intruders with high definition surveillance.

BULLET CAMERA

I-HIB4PI-LS

4MP Fixed Starlight IR Bullet Camera

FEATURES

Metal + Plastic Housing, Up to 2592x1520@25fps,
IH+265/H.265/H.264, Min. illumination Color: 0.002Lux@F1.6, 120dB
WDR, Smart IR Range: Up to 50M, Support tripwire and perimeter,
Built-in Mic, SD Card Slot, Reset Button, Operating Conditions
-35°~65°, 0~95% RH, POE, IP67



DOME CAMERA

I-HIE4PI-LS

4MP Fixed Starlight IR Dome Camera

FEATURES

Metal + Plastic Housing, Up to 2592x1520@25fps, IH+265/
H.265/H.264, Min. illumination Color: 0.002Lux@F1.6, 120dB
WDR, Smart IR Range: Up to 30M

Support tripwire and perimeter, Built-in Mic, SD Card Slot,
Reset Button, Operating Conditions -35°~65°, 0~95% RH,
POE, IP67

PTZ CAMERA

II-HIP2PI-S25X

2MP 25× Starlight IR PTZ Camera

FEATURES

Support Human/Vehicle Classification,, Smart IR Range
Up to 150M, IH+265/H.265/ H.264/M-JPEG, Built-in
Heater, Plugin Free, IP66



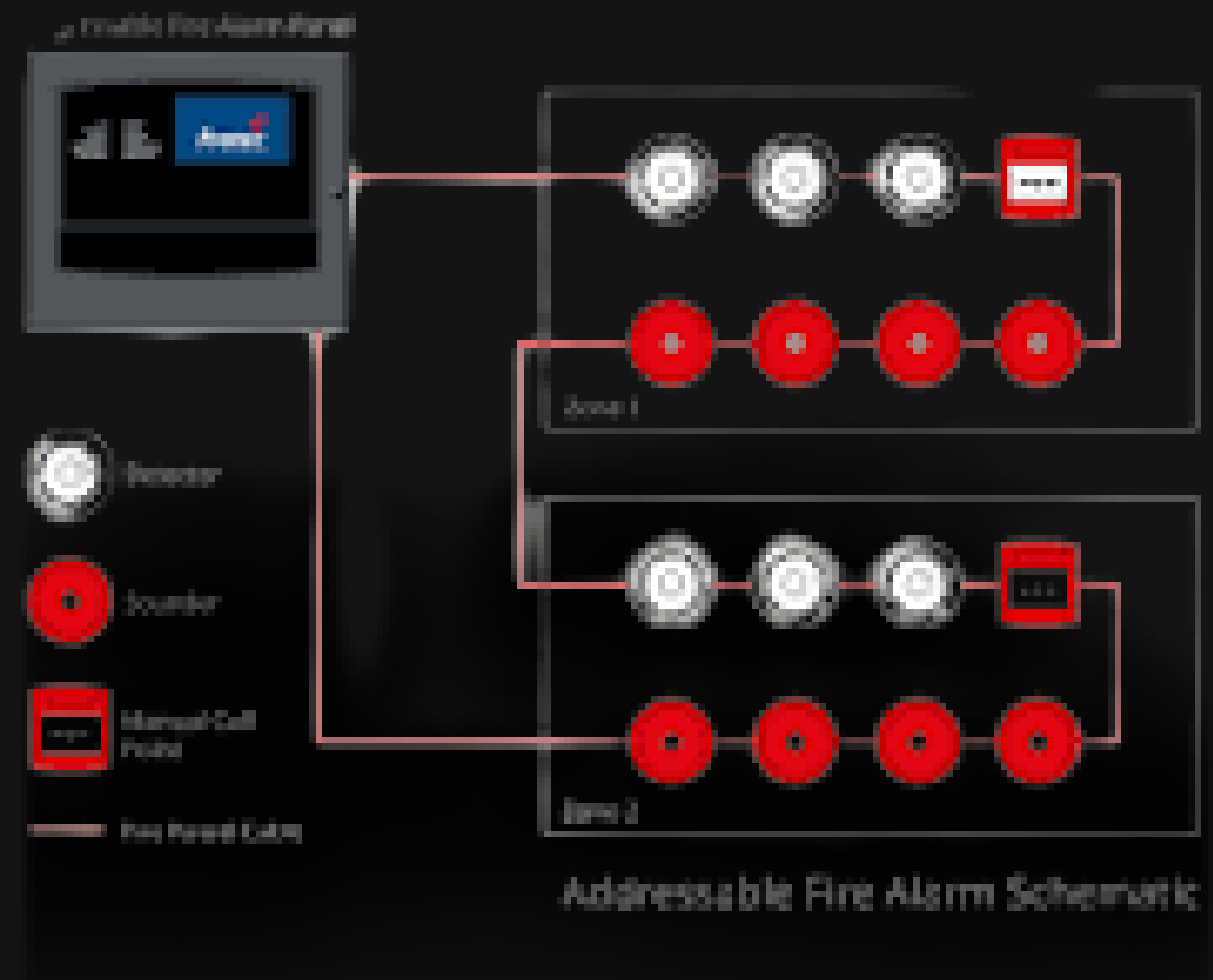
FIRE ALARM SYSTEM



Forewarned is forearmed, and wide range of Fire Detection and Alarm Systems can help with both. From fire alarm control panels and fire/smoke detectors, to manual call points and more, these systems provide uninterrupted fire protection. Alerts spread faster than fires to enable fast

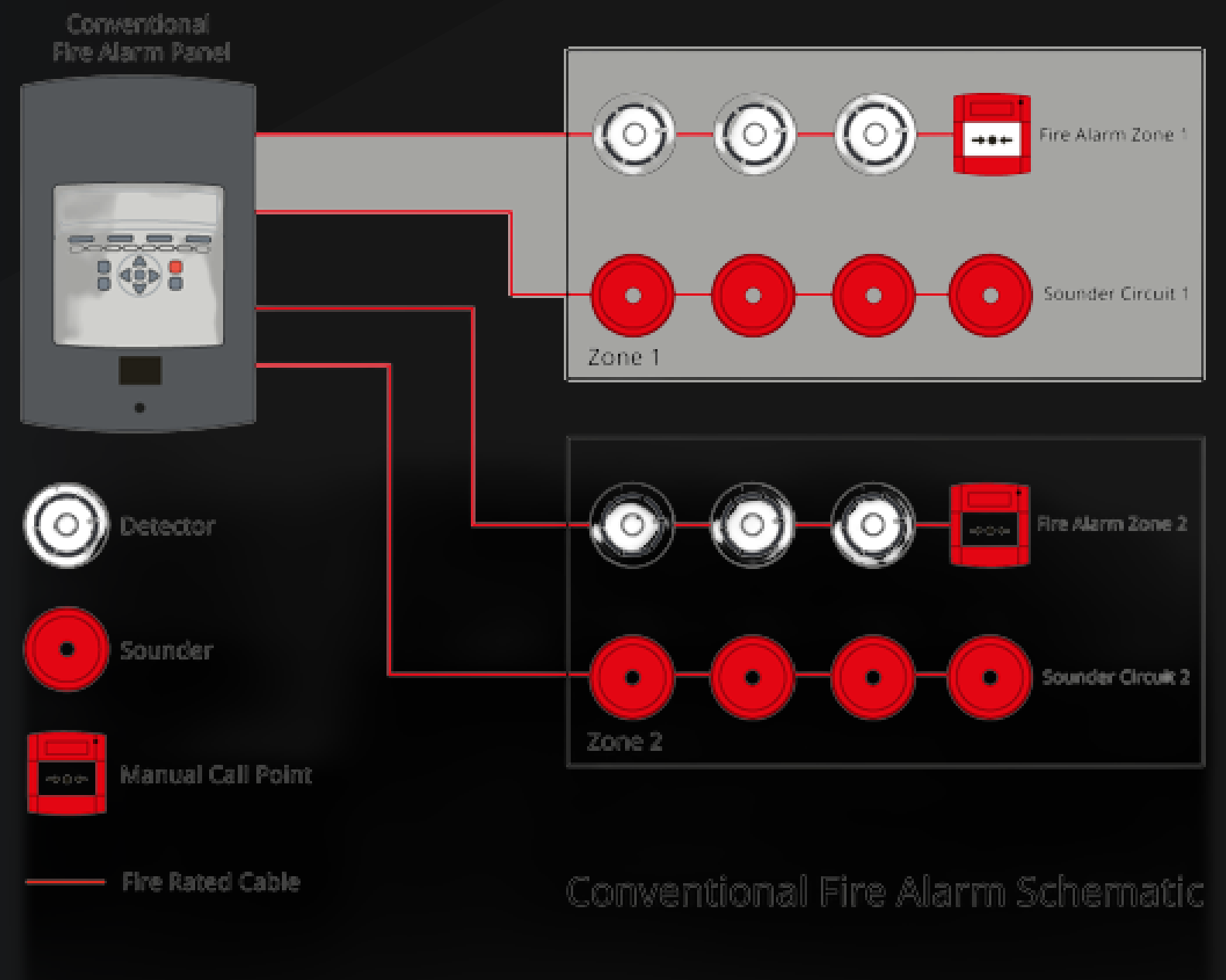
Addressable Fire Alarm System

An addressable system utilises a loop configuration containing all the fire alarm devices, including sounders and beacons/VAD. A loop wired system uses less cable compared to that of a more extensive conventional system. Each device on an addressable system utilises a system-wide protocol



Conventional Fire Alarms ○○○○

Add A conventional fire alarm system is a fire alarm system wired using a radial method (single legs of cable). These radials are wired from the main fire alarm panel and are either fire alarm zones or sounder circuits. Fire alarm zones are the radial circuits that monitor the detectors and manual call points. detectors and manual call points.



Hydrant system

It is designed to provide rapid access to water if a fire breaks out. Fire hydrant installation consists of a system of pipe work connected directly to the water supply main to provide water to every hydrant outlet and is intended to provide water for the firemen to fight a fire.



Fire extinguisher

A fire extinguisher is a handheld active fire protection device usually filled with a dry or wet chemical used to extinguish or control small fires, ...



ACCESS CONTROL SYSTEM



An access control system determines who is allowed to enter or exit, where they are allowed to exit or enter, and when they are allowed to enter or exit. Historically, this was partially accomplished through keys and locks.

Boom Barrier

A boom barrier, also known as a boom gate, is a bar, or pole pivoted to allow the boom to block vehicular or pedestrian access through a controlled point. Typically, the tip of a boom gate rises in a vertical arc to a near vertical position. Boom gates are often counterweighted, so the pole is easily tipped.



Biometric

Biometric identification consists of determining the identity of a person. The aim is to capture an item of biometric data from this person. It can be a photo of their face, a record of their voice, or an image of their fingerprint.



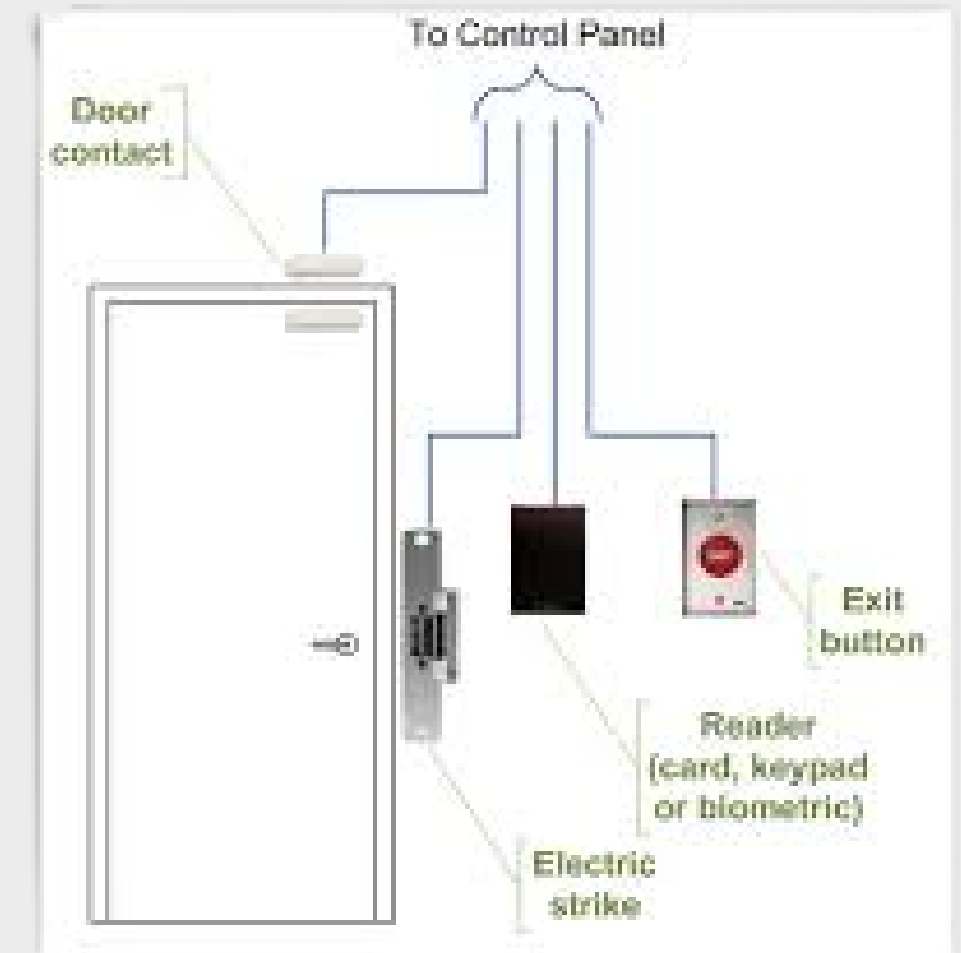
Turnstile

A turnstile (also called a turnpike, gateline, baffle gate, automated gate, turn gate in some regions) is a form of gate which allows one person to pass at a time. A turnstile can be configured to enforce one-way human traffic.



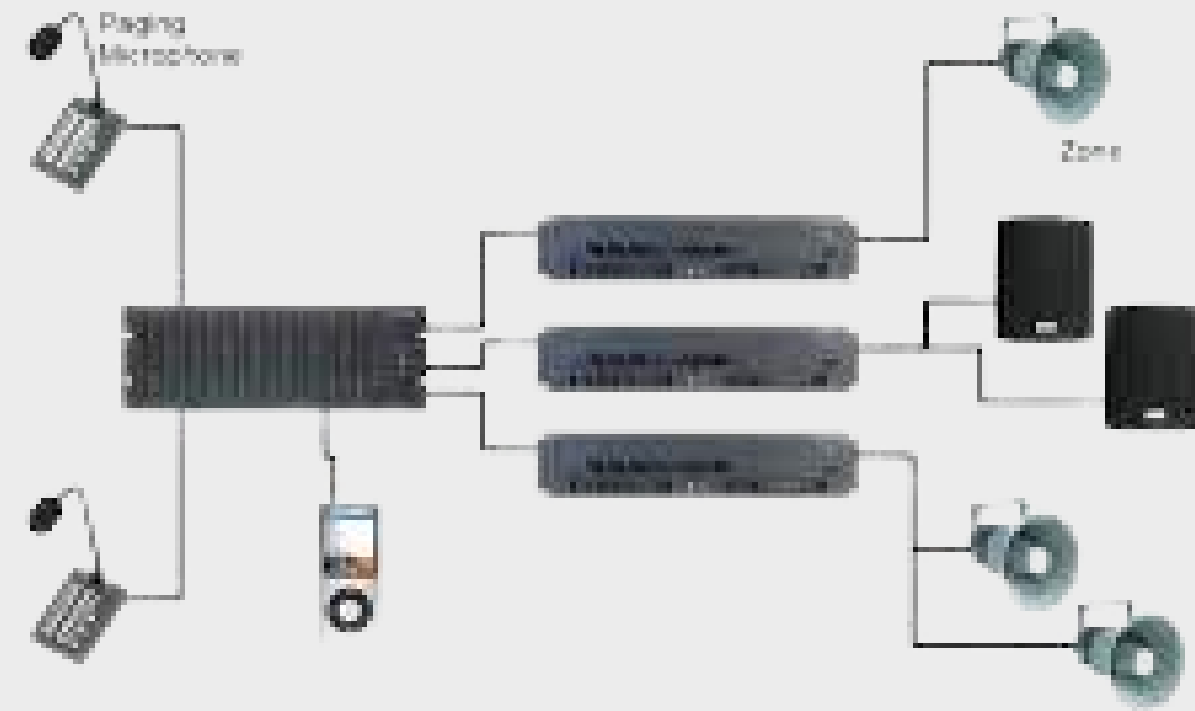
Multi Door Access Control

A multi-door access control system consists of software and peripheral devices that allow you to control multiple doors and access points



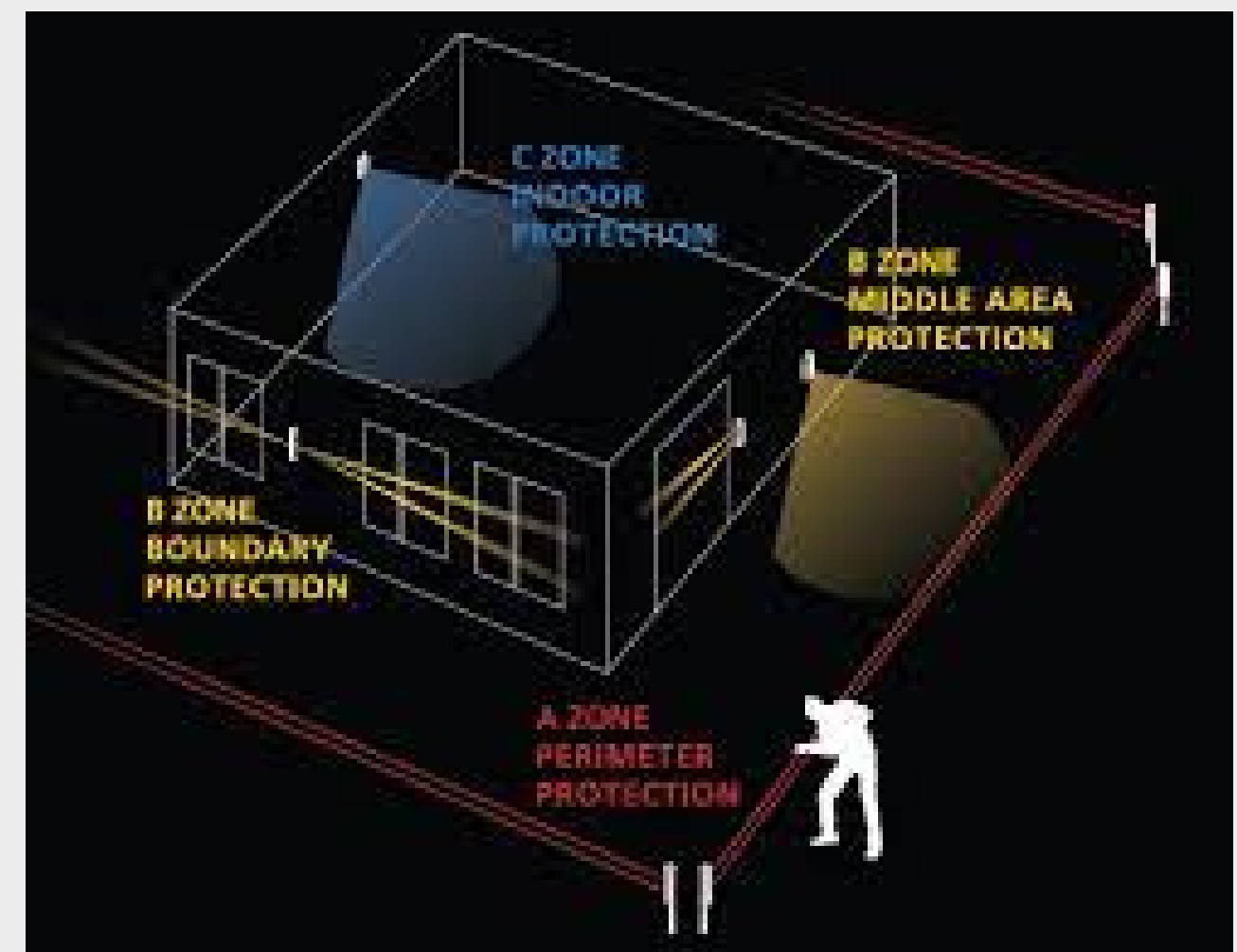
Public address system

A public address system (or PA system) is an electronic system comprising microphones, amplifiers, loudspeakers, and related equipment.



Perimeter Protection System

Perimeter security is the first line of defense of an alarm system. It is designed to monitor the limit of the property to be protected, avoiding any type of unauthorized access in addition to serving as a deterrent to those who should not enter our plant.





TechKisan Automation

The service you need!

Thank You!

Email: info@techkisan.in , sales@techkisan.in

WebSite: www.techkisan.in , www.techkisan.com

Address: Nakade Complex, Near Sai mandir , Mama Chawk, Gondia

Sub Offices: NAGPUR, PUNE, WARDHA, CHANDRAPUR

Contact details: 7972025213, 9511831914